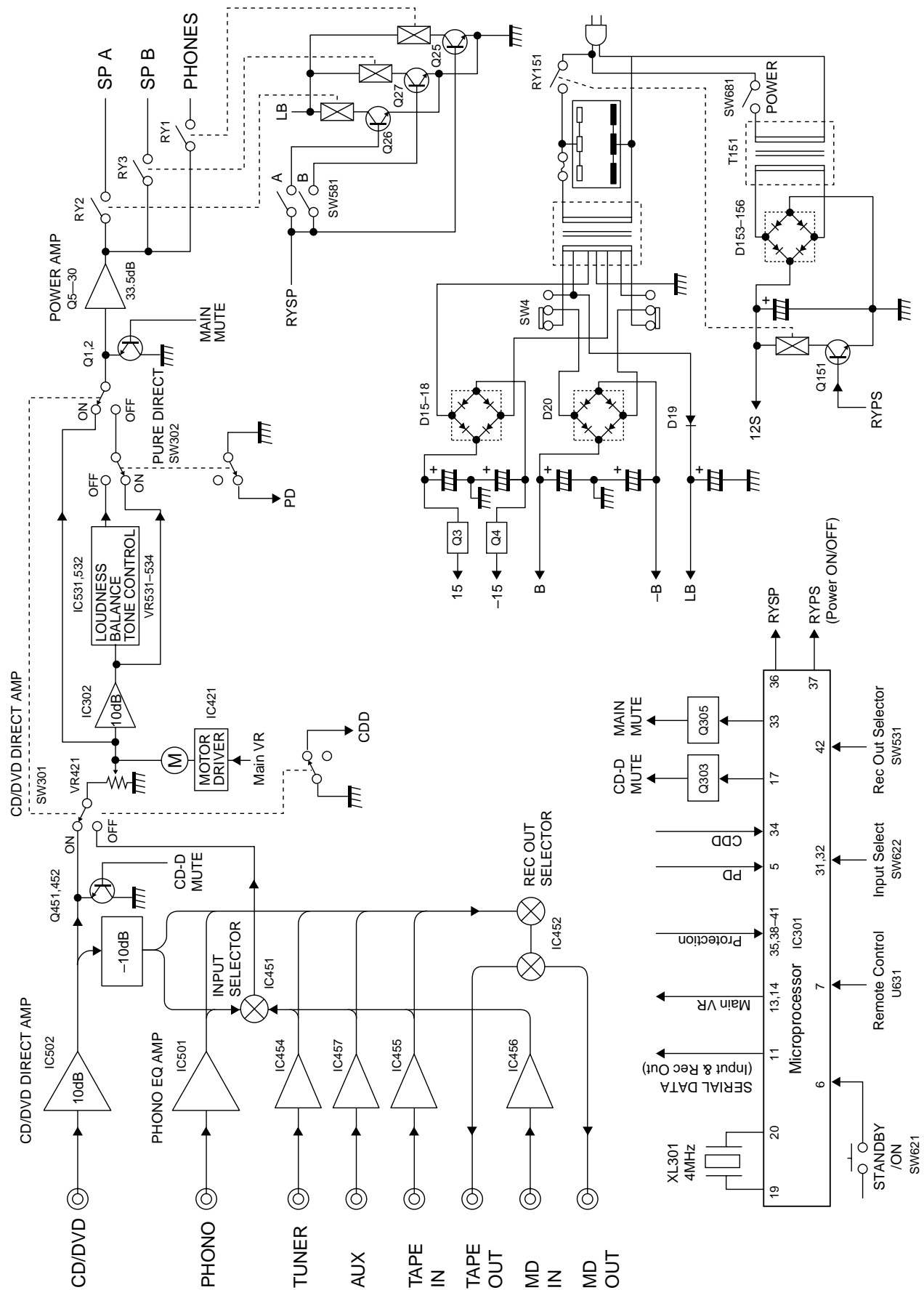
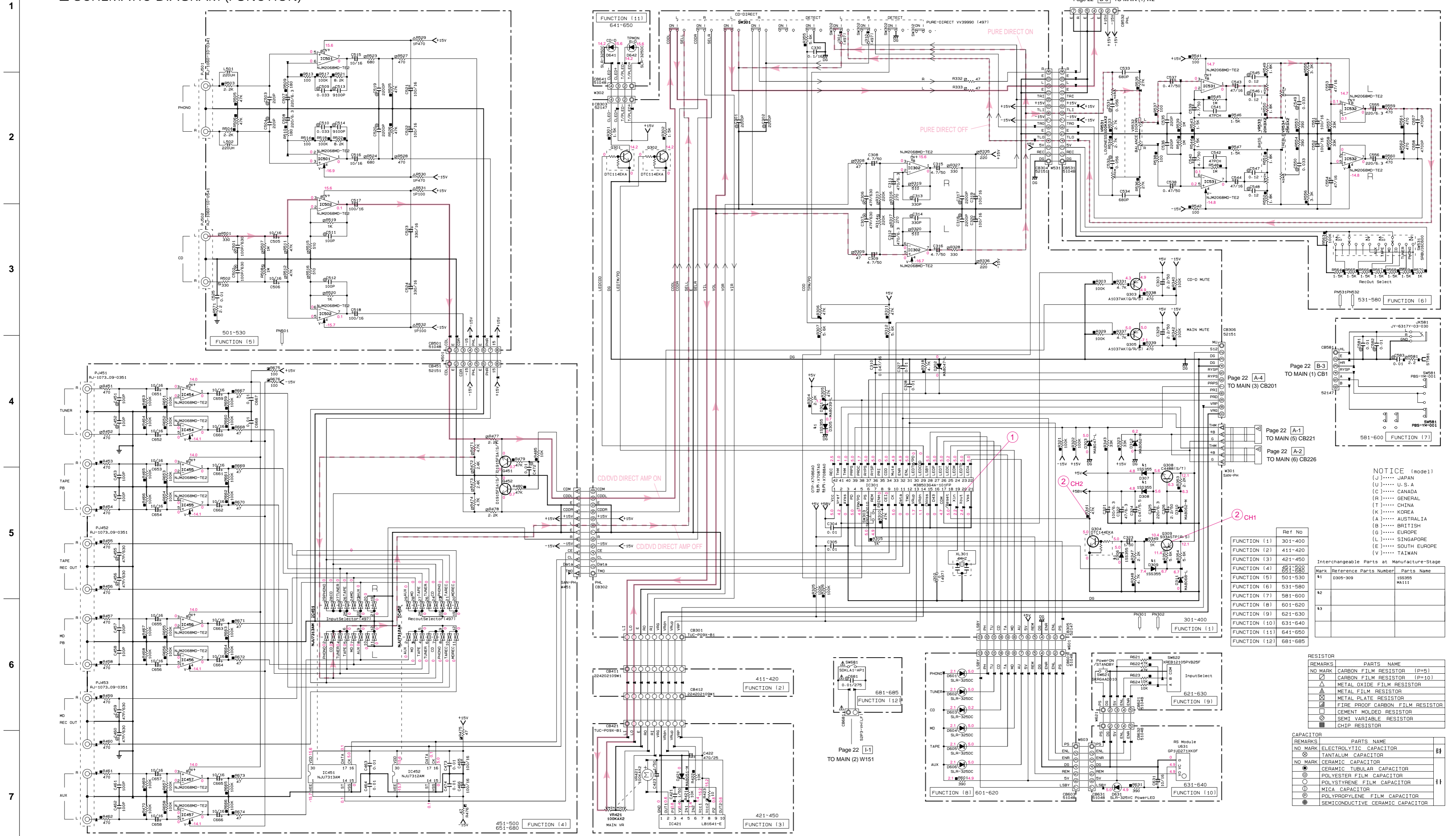


# ■ BLOCK DIAGRAM



AX-497

SCHEMATIC DIAGRAM (FUNCTION)



FUNCTION	Ref No
FUNCTION (1)	301-400
FUNCTION (2)	411-420
FUNCTION (3)	421-450
FUNCTION (4)	451-500
FUNCTION (5)	501-530
FUNCTION (6)	531-580
FUNCTION (7)	581-600
FUNCTION (8)	601-620
FUNCTION (9)	621-630
FUNCTION (10)	631-640
FUNCTION (11)	641-650
FUNCTION (12)	681-685

NOTICE (model)

(J)..... JAPAN  
 (U)..... U.S.A.  
 (C)..... CANADA  
 (R)..... GENERAL  
 (T)..... CHINA  
 (K)..... KOREA  
 (A)..... AUSTRALIA  
 (B)..... BRITISH  
 (G)..... EUROPE  
 (L)..... SINGAPORE  
 (E)..... SOUTH EUROPE  
 (V)..... TAIWAN

Interchangeable Parts at Manufacture-Stage

Mark	Reference Parts Number	Parts Name
k1	9305-309	ISS995 M4111
k2		
k3		

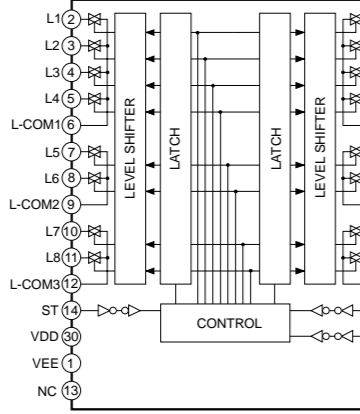
RESISTOR

REMARKS	PARTS NAME
NO MARK	CARBON FILM RESISTOR (P=5)
□	CARBON FILM RESISTOR (P=10)
△	METAL OXIDE FILM RESISTOR
⊠	METAL FILM RESISTOR
⊞	METAL PLATE RESISTOR
⊞	FIRE PROOF CARBON FILM RESISTOR
⊞	CEMENT MOUNTED RESISTOR
⊞	SEM. VARIABLE RESISTOR
⊞	CHIP RESISTOR

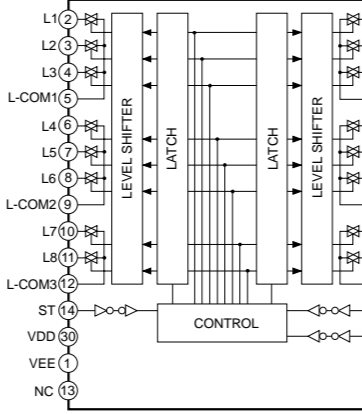
CAPACITOR

REMARKS	PARTS NAME
NO MARK	ELECTROLYTIC CAPACITOR
⊗	TANTALUM CAPACITOR
⊙	CERAMIC CAPACITOR
⊙	CERAMIC TUBULAR CAPACITOR
⊙	POLYESTER FILM CAPACITOR
⊙	POLYSTYRENE FILM CAPACITOR
⊙	MICA CAPACITOR
⊙	POLYPROPYLENE FILM CAPACITOR
⊙	SEMICONDUCTIVE CERAMIC CAPACITOR

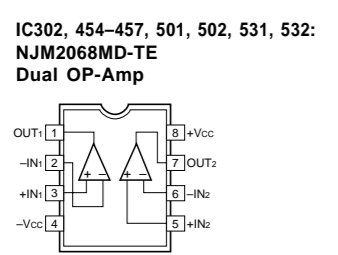
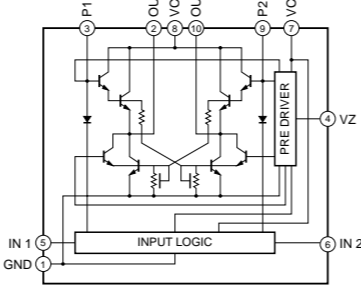
IC451: NJU7313AM Analog Function Switch



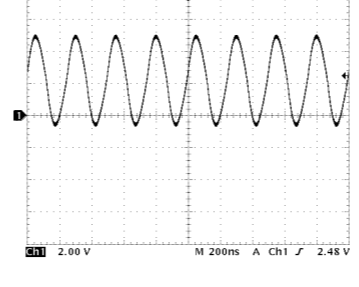
IC452: NJU7312AM Analog Function Switch



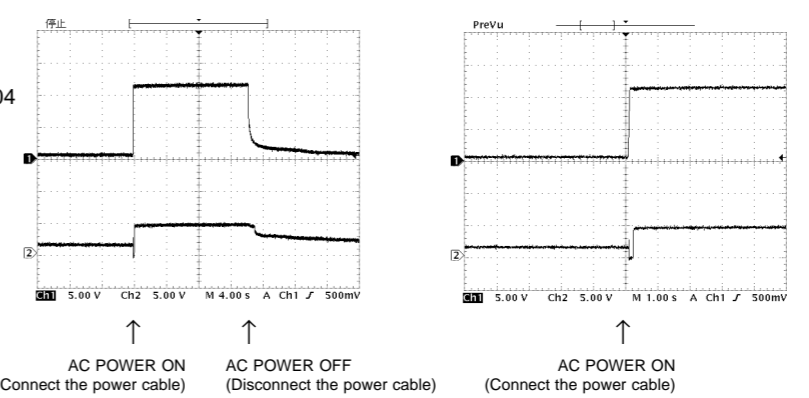
IC421: LB1641 Motor Driver



Point ① (Pin 20 of IC301)

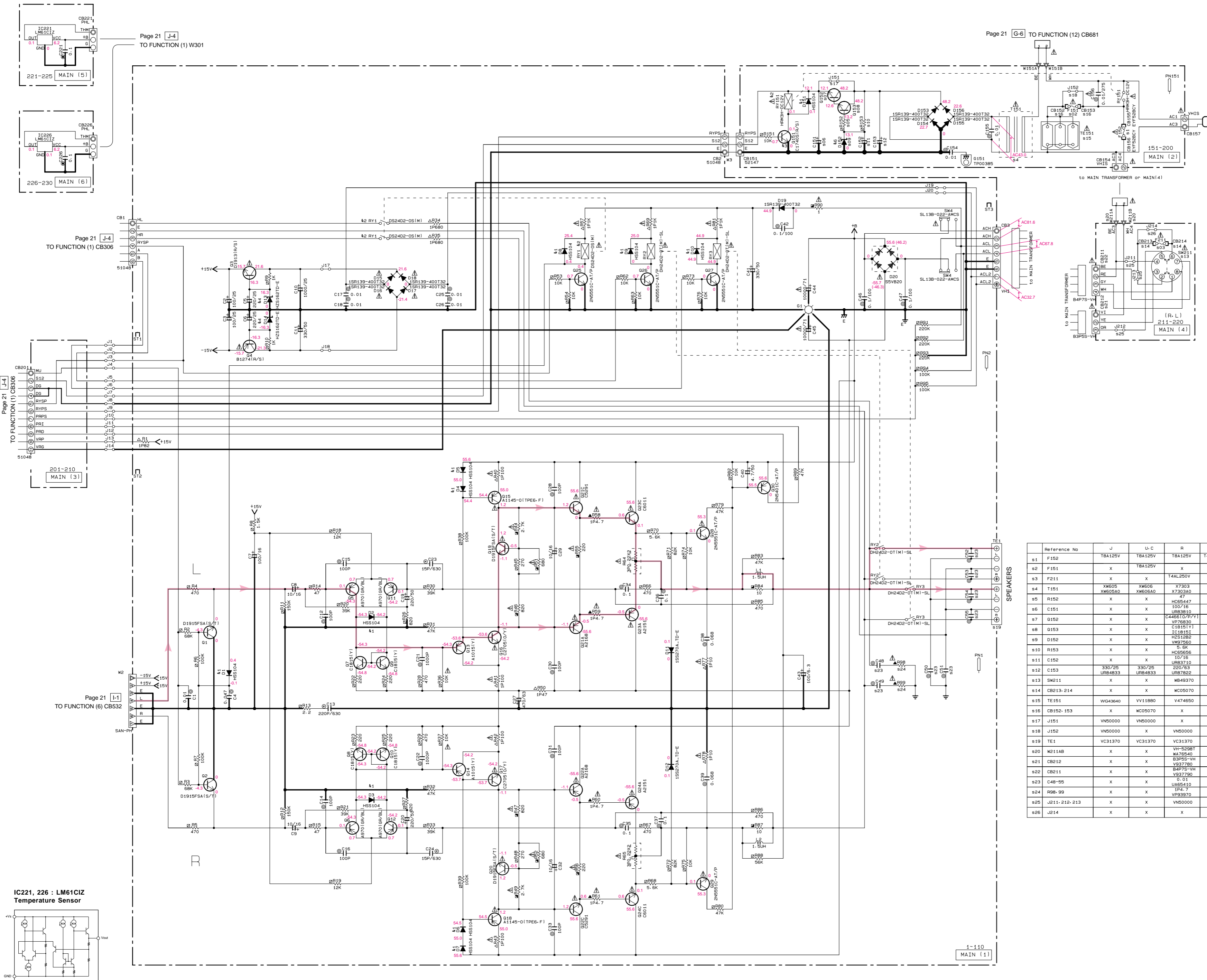


Point ② CH 1 : Emitter of Q309 CH 2 : Collector of Q304



\* All voltages are measured with a 10MΩ/V DC electronic volt meter.  
 \* Components having special characteristics are marked △, and must be replaced with parts having specifications equal to those originally installed.  
 \* Schematic diagram is subject to change without notice.  
 \* 電圧は、内部抵抗10MΩの電圧計で測定したものです。  
 \* △印のある部品は、安全性確保部品を示しています。部品の交換が必要な場合、パーツリストに記載されている部品を使用してください。  
 \* 本回路図は、標準回路図です。改良のため予告なく変更することがございます。

SCHEMATIC DIAGRAM (MAIN)



NOTICE (mode1)

(J)	..... JAPAN
(U)	..... U.S.A
(C)	..... CANADA
(R)	..... GENERAL
(T)	..... CHINA
(K)	..... KOREA
(A)	..... AUSTRALIA
(B)	..... BRITISH
(G)	..... EUROPE
(L)	..... SINGAPORE
(E)	..... SOUTH EUROPE
(V)	..... TAIWAN

RESISTOR

REMARKS	PARTS NAME
NO MARK	CARBON FILM RESISTOR (P=5)
□	CARBON FILM RESISTOR (P=10)
△	METAL OXIDE FILM RESISTOR
▢	METAL FILM RESISTOR
⊠	METAL PLATE RESISTOR
⊞	FINE PROOF CARBON FILM RESISTOR
⊟	CEMENT MOLDED RESISTOR
⊠	SEMI VARIABLE RESISTOR
⊞	CHIP RESISTOR

CAPACITOR

REMARKS	PARTS NAME
NO MARK	ELECTROLYTIC CAPACITOR
⊗	TANTALUM CAPACITOR
○	CERAMIC CAPACITOR
⊙	CERAMIC TUBULAR CAPACITOR
⊚	POLYESTER FILM CAPACITOR
⊛	POLYSTYRENE FILM CAPACITOR
⊜	MICA CAPACITOR
⊝	POLYPROPYLENE FILM CAPACITOR
⊞	SEMICONDUCTIVE CERAMIC CAPACITOR

Interchangeable Parts at Manufacture-Stage

Mark	Reference Parts Number	Parts Name
k1	D1-10, 151	H5S104 1S5133 1S5176
k2	RY1	DS2402-OS1M AL4224 G5PA-2B
k3	Q151	2SC1740S1R/S1 2SC6931E/F1 2SC3311A1O/R/S1
k4	D13, 14	H2S162D-E MT2J16C
k5		
k6	D152	H2S1282 MT2J12C

Reference No	J	U-C	R	T	K	A	B	G-E	L	Note	
s1	F152	T8A125V	T8A125V	T4A125V	T4A125V	T4A125V	T4A125V	T4A125V	T4A125V	MAIN(2)	
s2	F151	X	T8A125V	X	X	X	X	2.5A250V	X	MAIN(2)	
s3	F211	X	X	T4A125V	X	X	X	X	X	MAIN(4)	
s4	T151	XW605 XW605A0	XW606 XW605A0	X7303 X7303A0	XW608 XW608A0	XW608 XW608A0	XW608 XW608A0	XW608 XW608A0	XW608 XW608A0	MAIN(2)	
s5	R152	X	X	HC65447 100/16 UR8310	X	X	X	X	X	MAIN(2)	
s6	C151	X	X	C44810/9/71 UR8310	X	X	X	X	X	MAIN(2)	
s7	Q152	X	X	VP76830	X	X	X	X	X	MAIN(2)	
s8	Q153	X	X	C18151 Y1 IC18151	X	X	X	X	X	MAIN(2)	
s9	D152	X	X	H2S1282 VM97560	X	X	X	X	X	MAIN(2)	
s10	R153	X	X	5-K HC65696	X	X	X	X	X	MAIN(2)	
s11	C152	X	X	UR8310	X	X	X	X	X	MAIN(2)	
s12	C153	330/25 UR84833	330/25 UR84833	220/63 UR87322	330/25 UR84833	330/25 UR84833	330/25 UR84833	330/25 UR84833	330/25 UR84833	MAIN(2)	
s13	SW211	X	X	M49370	X	X	X	X	X	MAIN(4)	
s14	CB213-214	X	X	WC05070	X	X	X	X	X	MAIN(4)	
s15	TE151	VG43640	VV11880	V474850	V586790	V586790	V791500	VU54330	V446670	V446670	MAIN(2)
s16	CB152-153	X	WC05070	X	X	X	X	X	WC05070	X	MAIN(2)
s17	J151	VN50000	VN50000	X	VN50000	VN50000	VN50000	VN50000	VN50000	VN50000	MAIN(2)
s18	J152	VN50000	X	VN50000	VN50000	VN50000	VN50000	X	VN50000	MAIN(2)	
s19	TE1	VC31370	VC31370	VC31370	V481140	VC31370	V481140	V481140	V481140	MAIN(1)	
s20	M211AB	X	X	VH-5298T W476540	X	X	X	X	X	VH-5298T W476540	MAIN(4)
s21	CB212	X	X	B3P55-VH V337780	X	X	X	X	X	B3P55-VH V337780	MAIN(4)
s22	CB211	X	X	B4P75-VH V337780	X	X	X	X	X	B4P75-VH V337780	MAIN(4)
s23	C48-95	X	X	0.01 UA85410	0.01 UA85410	0.01 UA85410	0.01 UA85410	0.01 UA85410	0.01 UA85410	0.01 UA85410	MAIN(1)
s24	R98-99	X	X	IP4-7 VP93970	IP4-7 VP93970	IP4-7 VP93970	IP4-7 VP93970	IP4-7 VP93970	IP4-7 VP93970	IP4-7 VP93970	MAIN(1)
s25	J211-212-213	X	X	VN50000	X	X	X	X	X	VN50000	MAIN(4)
s26	J214	X	X	X	X	X	X	X	X	VN60000	MAIN(4)

\* All voltages are measured with a 10MΩ/V DC electronic volt meter.  
 \* Components having special characteristics are marked △ and must be replaced with parts having specifications equal to those originally installed.  
 \* Schematic diagram is subject to change without notice.

• 電圧は、内部抵抗10Mの電圧計で測定したものです。  
 • △印のある部品は、安全性確保部品を示しています。部品の交換が必要な場合、パーツリストに記載されている部品を使用してください。  
 • 本回路図は、標準回路図です。改良のため予告なく変更することがございます。

